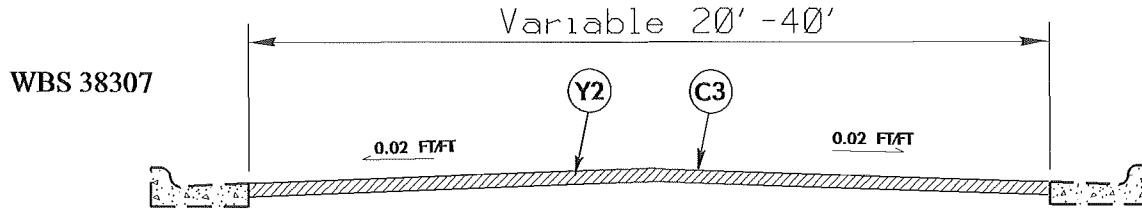


# TYPICAL SECTIONS

## WBS ELEMENT 38307, 3CR.20671.172, 3C.067076 & 3C.067078

**MAP NO. 1,2 & 3**

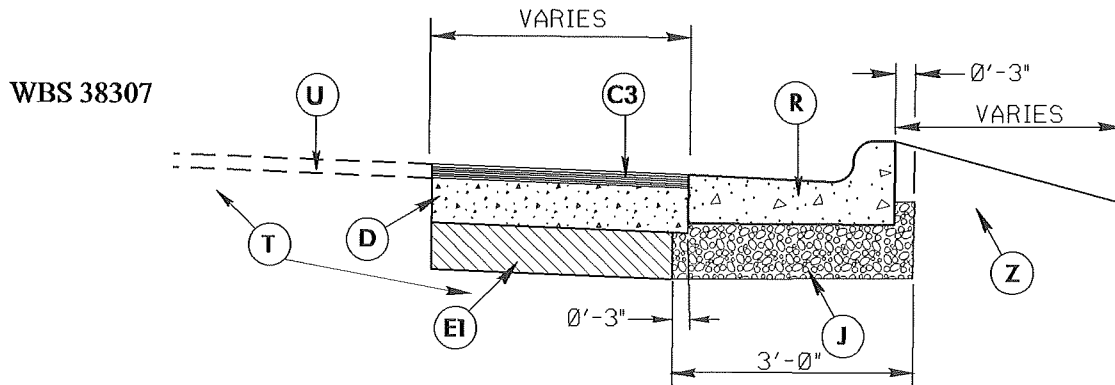


Z

### TYPICAL SECTION NO. 1

USE FOR SR 1003 & SR 1308  
From US 258 to Elizabeth Avenue ON SR 1003  
and SR 1308 FROM DRIVEWAY TO END PROJECT

**MAP NO. 2**



### TYPICAL SECTION NO. 2

WIDENING FOR RIGHT TURN ON SR 1003 & SR 1308

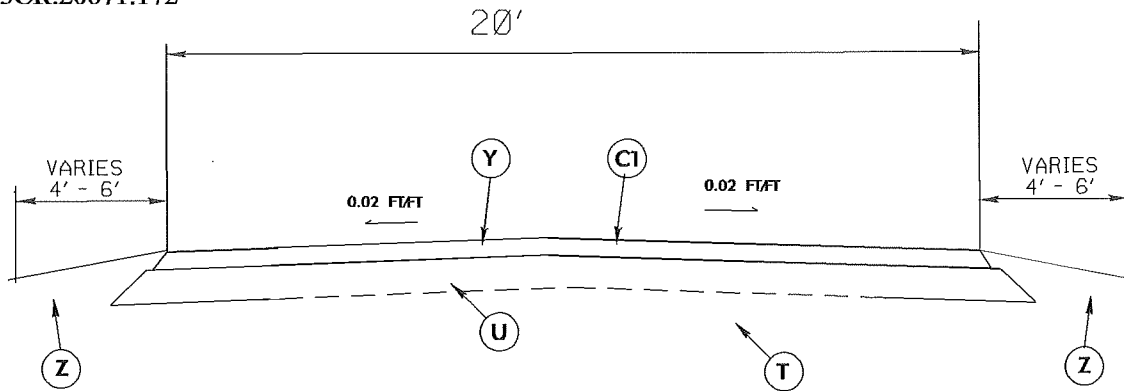
# TYPICAL SECTIONS

WBS ELEMENT 38307, 3CR.20671.172,

3C.067076 & 3C.067078

**MAP NO. 4**

WBS 3CR.20671.172

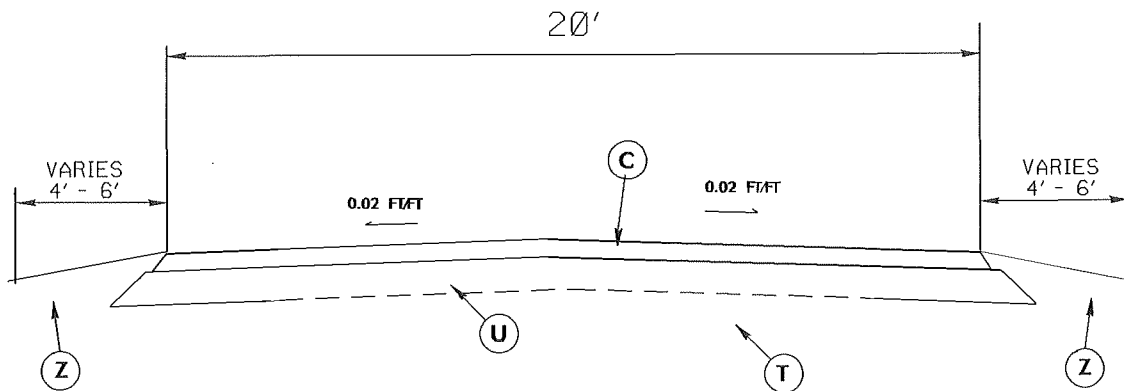


## TYPICAL SECTION NO. 3

USE ON SR 1226 FROM US 258 TO STATION 35+90

**MAP NO. 4**

WBS 3CR.20671.172



## TYPICAL SECTION NO. 4

USE ON SR 1226 FROM STATION 35+90 TO END SYSTEM

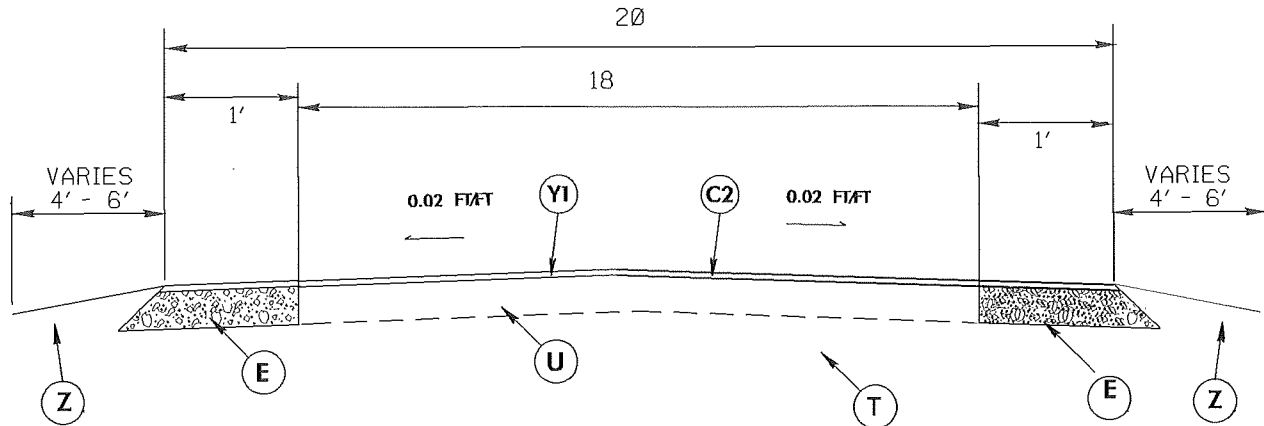
# TYPICAL SECTIONS

WBS ELEMENT 38307, 3CR.20671.172,

3C.067076 & 3C.067078

**MAP NO. 5**

WBS 3CR.20671.172



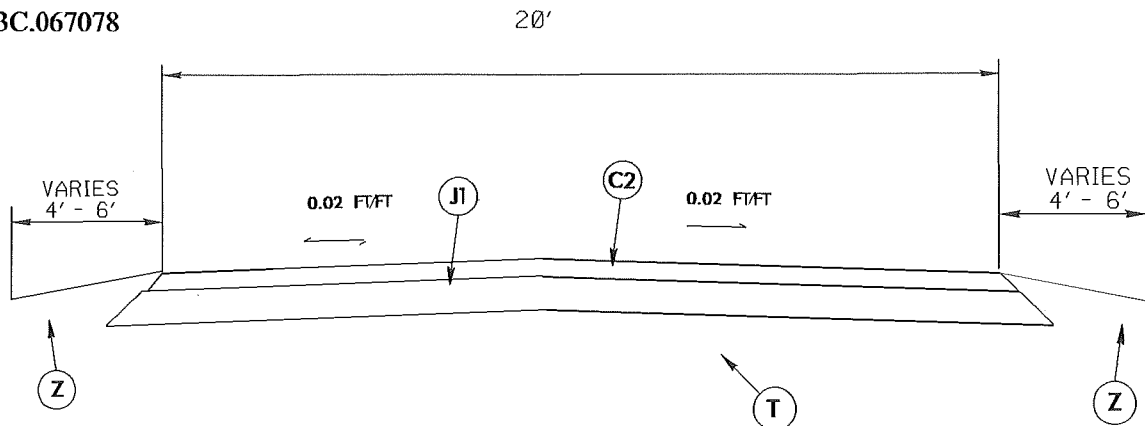
## TYPICAL SECTION NO. 5

USE FOR SR 1320  
FROM US 258 TO SR 1321

**MAP NOS. 6&7**

WBS 3C.067076

WBS 3C.067078



## TYPICAL SECTION NO. 6

USE FOR SR 1560 & SR 1938  
FROM END MAINTENANCE TO SR 1528  
FROM END PAVEMENT TO END MAINTENANCE

# PAVEMENT SCHEDULE

WBS ELEMENT 38307, 3CR.20671.172,  
3C.067076 & 3C.067078

|           |   |
|-----------|---|
| <b>C</b>  | PROP. APPROX. 1" ASPHALT CONCRETE SURFACE COURSE, TYPE SF9.5A,<br>AT AN AVERAGE RATE OF 110 LBS. PER SQ. YD.      |
| <b>C1</b> | PROP. APPROX. 1 1/2" ASPHALT CONCRETE SURFACE COURSE, TYPE SF9.5A,<br>AT AN AVERAGE RATE OF 165 LBS. PER SQ. YD.  |
| <b>C2</b> | PROP. APPROX. 1 1/2" ASPHALT CONCRETE SURFACE COURSE, TYPE S9.5B,<br>AT AN AVERAGE RATE OF 168 LBS. PER SQ. YD.   |
| <b>C3</b> | PROP. APPROX. 2" ASPHALT CONCRETE SURFACE COURSE, TYPE S9.5B,<br>AT AN AVERAGE RATE OF 224 LBS. PER SQ. YD.       |
| <b>D</b>  | PROP. APPROX. 3" ASPHALT CONCRETE INTERMEDIATE COURSE, TYPE I19.0B,<br>AT AN AVERAGE RATE OF 342 LBS. PER SQ. YD. |
| <b>E</b>  | PROP. APPROX. 4" ASPHALT CONCRETE BASE COURSE, TYPE B25.0B,<br>AT AN AVERAGE RATE OF 456 LBS. PER SQ. YD.         |
| <b>E1</b> | PROP. APPROX. 5" ASPHALT CONCRETE BASE COURSE, TYPE B25.0B,<br>AT AN AVERAGE RATE OF 570 LBS. PER SQ. YD.         |
| <b>J</b>  | PROP. APPROX. 3" AGGREGATE BASE COURSE  |
| <b>J1</b> | EXISTING 6" AGGREGATE BASE COURSE, TO BE CONDITIONED  |
| <b>R</b>  | PROP. 2' 6" CONCRETE CURB AND GUTTER  |
| <b>Y</b>  | MILL ASPHALT 0.75" DEPTH  |
| <b>Y1</b> | MILL ASPHALT 1.50" DEPTH  |
| <b>Y2</b> | MILL ASPHALT 2" DEPTH   |
| <b>T</b>  | EXISTING SUBGRADE MATERIAL  |
| <b>U</b>  | EXISTING PAVEMENT   |
| <b>Z</b>  | SHOULDER CONSTRUCTION AND /OR RECONSTRUCTION EARTH MATERIAL   |